

LOW COST THERMOCOUPLE SENSING TEMPERATURE CONTROLLERS



RELAY OUTPUT 5 AMPS

120 Volt - \$71.00 240 Volt - \$85.00

MODEL 5CJ-010 5CJ-014
MODEL 5CK-010 5CK-014

PROPORTIONAL SSR 6 AMPS

120 Volt - \$85.00 240 Volt - \$95.50

MODEL 5CJ-020 5CJ-022
MODEL 5CK-020 5CK-022

PHYSICAL DESCRIPTION

Printed Circuit Board Type

DIMENSIONS

4.0"x2.9"x1.4" max. (101.60MMx72.50MMx35.56MM)

CONTROL MODES

On/Off for models 5CJ-010 and 5CK-010
Proportional with Zero Voltage Switching for models 5CJ-020 and 5CK-020

SET POINT STABILITY

+/- 3°C with ambient over 0° to 55°C (0.05°C/°C)
0.4°C with line voltage 120 +/-10%vac (0.017°C/volt)

INPUT POWER

120 VAC +/- 10%, 50/60Hz

OUTPUT

SPDT Relay rated at 5A@120vac for models 5CJ-010 and 5CK-010
Triac rated 6A@120vac for models 5CJ-020 and 5CK-020

POWER DISSIPATION

1 watt, nominal for Models 5CJ-010 and 5CK-010
1 watt, nominal plus 1.4 watt per load ampere for models 5CJ-020 and 5CK-020

AMBIENT TEMPERATURE LIMITS

Operating: 0° to 55°C (32° to 131°F)
Storage: -40° to 70°C (-40° to 158°F)

DIFFERENTIAL/PROPORTIONAL BANDWIDTH

3°C switching hysteresis, nominal, for models 5CJ-010 and 5CK-010
2° to 20°C adjustable bandwidth for models 5CJ-020 and 5CK-020

TEMPERATURE RANGES

0 to 750°C (32° to 1382°F) for 5CJ models
0° to 1250°C (32° to 2282°F) for 5CK models

SENSORS

Type "J" Thermocouple for 5CJ models
Type "K" Thermocouple for 5CK models

MOUNTING

Plastic Snap-track 2.9"x4" (72.50MMx101.60MM)
Weight: 5.5oz (160 grams) maximum

LEAD BREAK PROTECTION

Provided on proportional units, an open thermocouple will deenergize the load.

THERMOCOUPLE LEAD LENGTH

Accuracy will remain within specifications for thermocouple lead length up to or equivalent to 150 ohm resistance

TERMINAL STRIP

Barrier strip connector.: Wire range of #18 to #24AWG

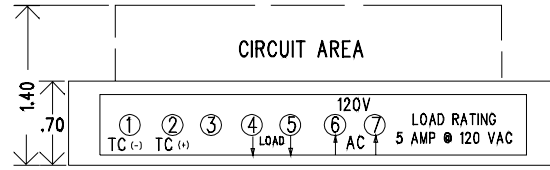
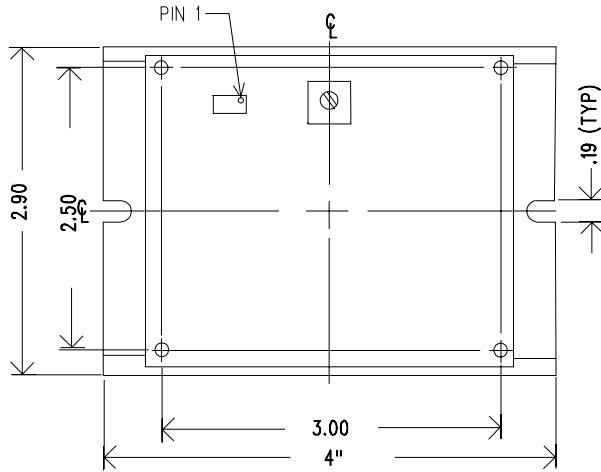


OVEN INDUSTRIES, INC.

PO BOX 290, MECHANICSBURG, PA 17055
TEL: 717-766-0721 FAX: 717-766-4786

e-mail: oven@ovenind.com web site: www.ovenind.com

Bulletin 9701

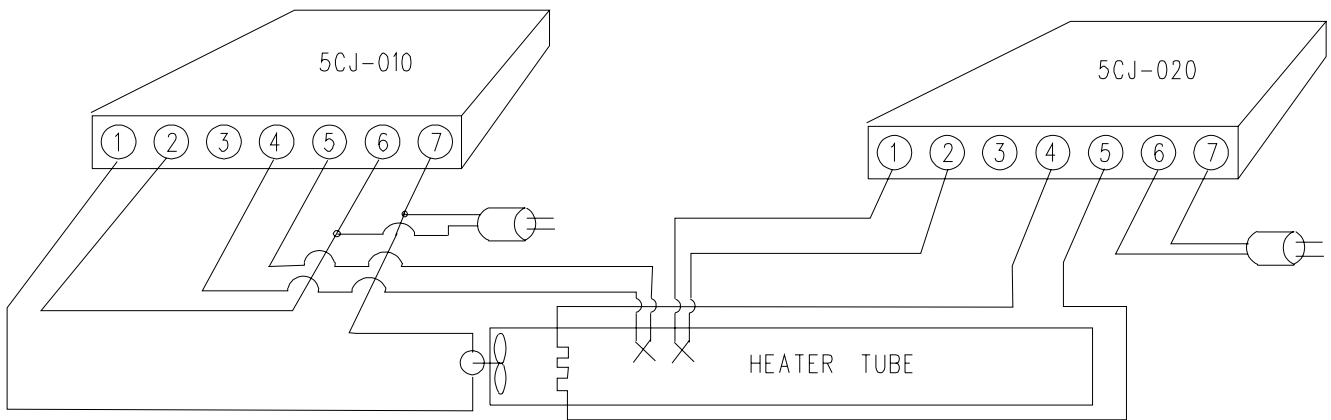


TYPICAL APPLICATIONS:

Proportional control of heater with on/off control of fan

ON/OFF CONTROL

PROPORTIONAL CONTROL



Heater load currents greater than the device rating

